

TEMPERATURE CONTROLLED CRYSTAL OSCILLATOR(TCXO) FOR GPS

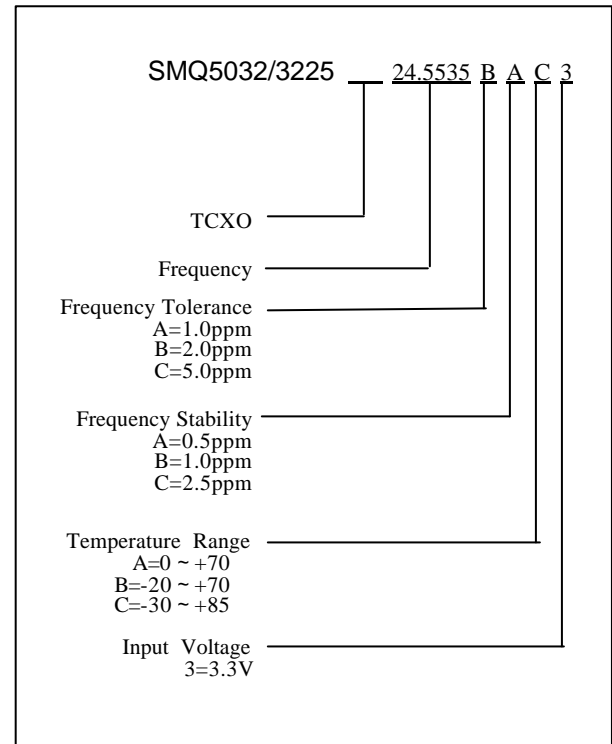
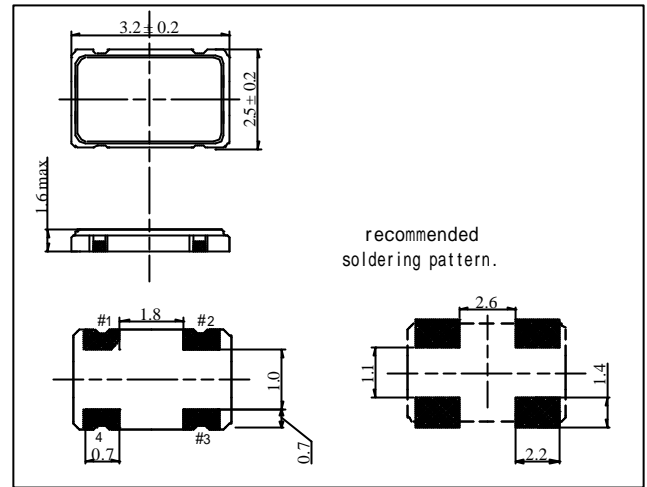
S-TCXO SMQ 5032/SMQ3225 TYPE



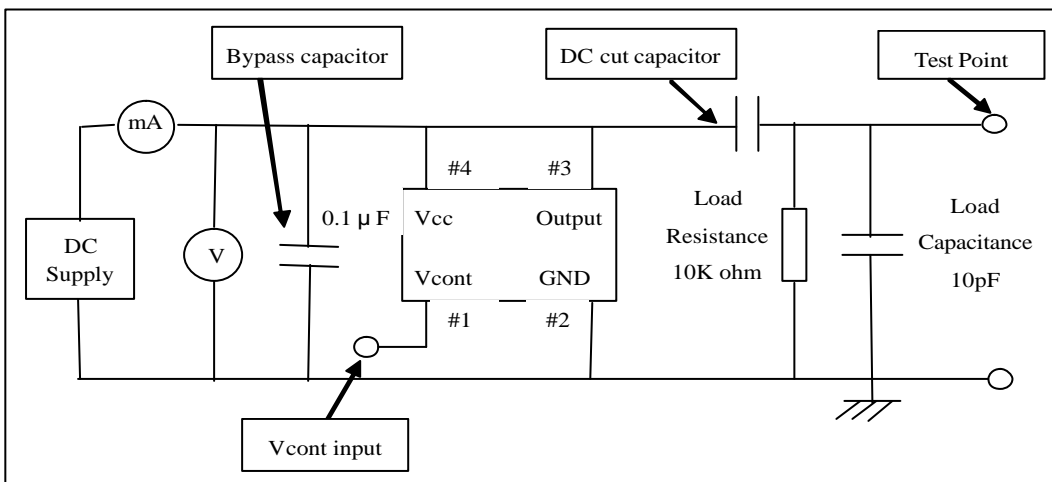
PARAMETERS

PARAMETER	SPECIFICATION	CONDITION
Frequency Range	16.3676MHz /16.369MHz /24.5535MHz	
Supply voltage	Fundamental	
Control voltage	0 ~ Vcc	
Output Waveform	Clipped Sine Wave	
Output Level	0.8 V _{p-p}	
Input Current	1.5 mA Max	
Operating Temp. Range	-30 ~ +85	
Storage Temp. Range:	-40 ~ +85	
Frequency Stability	±10ppm/ V Min	
vs. Temperature vs.	±0.5ppm Max	Referenced to the mid point between min. and max. frequency
vs. Supply Voltage vs.	±0.1ppm Max	V _{cc} ±5%
vs. Load vs.	±0.2ppm Max	10K //10pF±10%
vs. Aging vs.	±1.0ppm Max	1 Year
Frequency Tolerance	±2.0ppm Max	25 °C, After Reflow
Frequency Slope	±0.1ppm/	-20~+70
Phase Noise		
	-50 dBc/Hz Max	1 Hz offset
	-80 dBc/Hz Max	10 Hz offset
	-105 dBc/Hz Max	100 Hz offset
	-125 dBc/Hz Max	1K Hz offset
	-140 dBc/Hz Max	10K Hz offset

PARAMETERS



TEST CIRCUIT



All specification subject change without notice.

available frequencies: 16.368 MHz / 23/104 MHz / 26 MHz